

MOTOMAN GP180 FGG

Handling Robot with high Payload
for the Food Industry



The GP180 FGG complements our FGG (Food Grade Grease) series portfolio in the high payload range. With 6 axes, up to 180 kg payload and a maximum working range of 2.702 m, in combination with an outstanding repeatability of ± 0.05 mm, it is perfectly prepared for secondary and tertiary food packaging. This is ensured by special features, such as food grade grease in all axes, high IP65/67 protection class (against dust and liquid penetration) and a special liquid-repellent resistant painting for easy and regular cleaning. Consequently, it can be used for handling various food and beverage packages.

The wrist of the GP180 FGG is configured for high moments of inertia. In spite of its large payload and long reach, the space requirement of this handling robot with 625 mm wide base is extremely economical. It has flexible connection of various gripper systems as well as an optimized feeding of media connections. The high-performance Sigma-7 servo drive technology allows an improved acceleration and braking behavior of the GP180 FGG. As a result, even shorter cycle times are achieved in addition to higher speeds.

The Sigma-7 drive technology together with the YRC1000 high-performance compact controller contributes to a more sustainable production. By recovering braking energy, the robot achieves high energy efficiency.

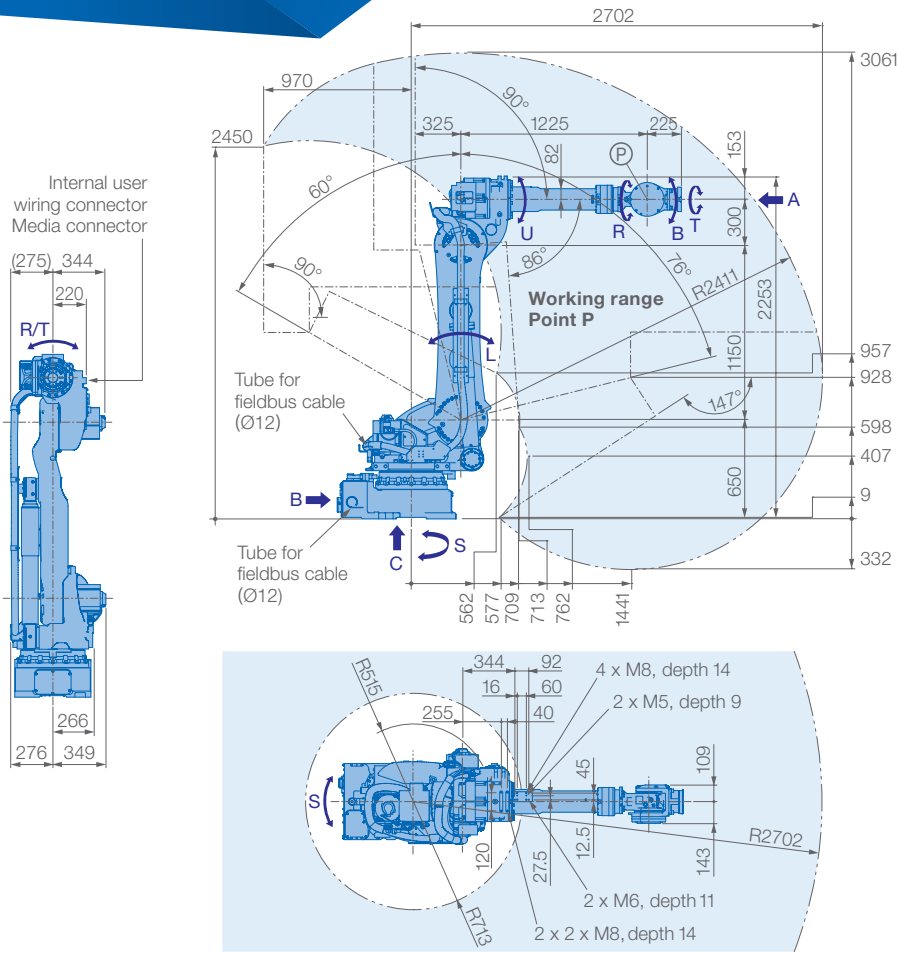
KEY BENEFITS

- High payload capacity: 180 kg
- For use in the food industry
- High IP65/67 protection class
- Large working range: 2.702 m
- Easy to clean
- Maximum performance with minimum space requirements
- Short cycle times thanks to Sigma-7 servo drive technology
- High energy efficiency
- Versatile gripper connection faceplate

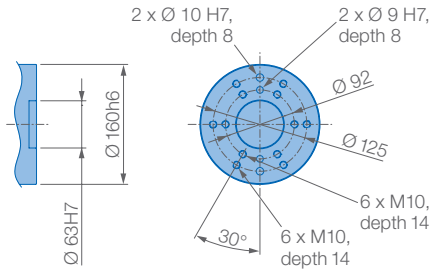
Further product information:



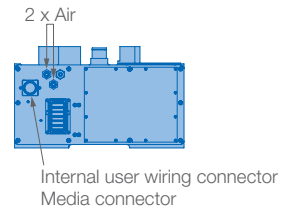
Controlled by
YRC1000



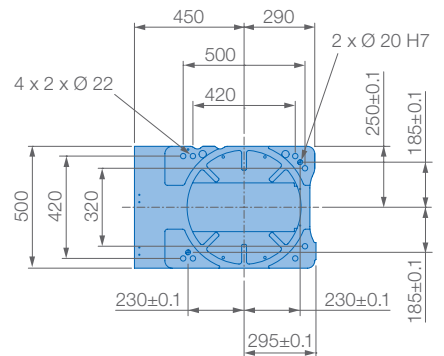
View A



View B



View C

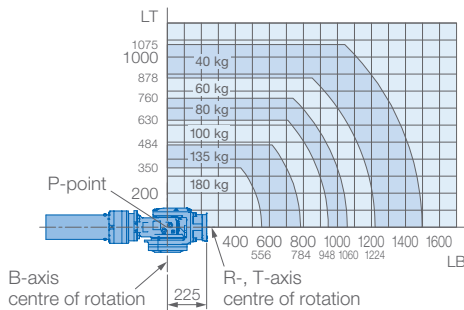


Mounting option: Floor

Protection class:
Main axes (S, L, U) IP65, wrist IP67

Note:
The suspension of the gas balancer are not supplied with food grade grease; if required we can provide a special protection cover as an option. Please check carefully if the grease spec complies with your individual application specifications. For more information, please refer to the manipulator manual.

Allowable wrist load



Specifications GP180 FGG					
Axes	Maximum motion range [°]	Maximum speed [°/sec.]	Allowable moment [Nm]	Allowable moment of inertia [kg · m²]	Controlled axes
S	±180	125	–	–	6
L	+76/–60	115	–	–	Max. payload [kg]
U	+90/–86	125	–	–	Repeatability [mm]
R	±360	182	1000	90	Max. working range R [mm]
B	±130	175	1000	90	Temperature [°C]
T	±360	265	618	46.3	Humidity [%]
					Weight [kg]
					Power supply, average [KVA]

Yaskawa Europe GmbH

Robotics Division
Yaskawastraße 1
85391 Allershausen
Germany

Tel. +49 (0) 8166 90-0
robotics@yaskawa.eu
www.yaskawa.eu

YR-1-06VX180-F00
A-03-2023, A-No. 231015